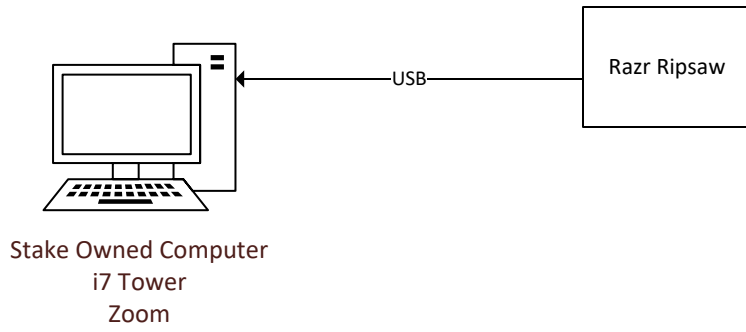


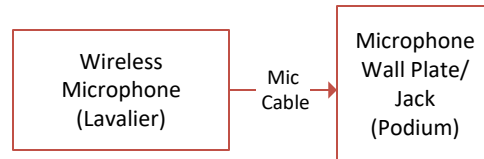
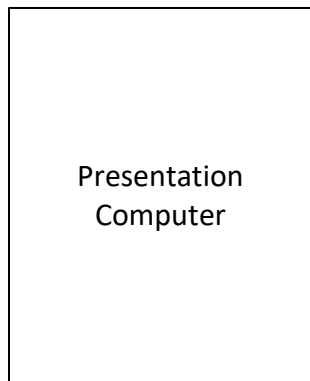
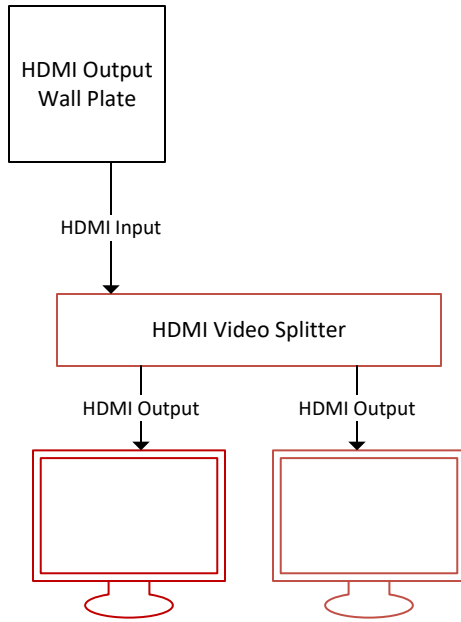
## AV Room Setup



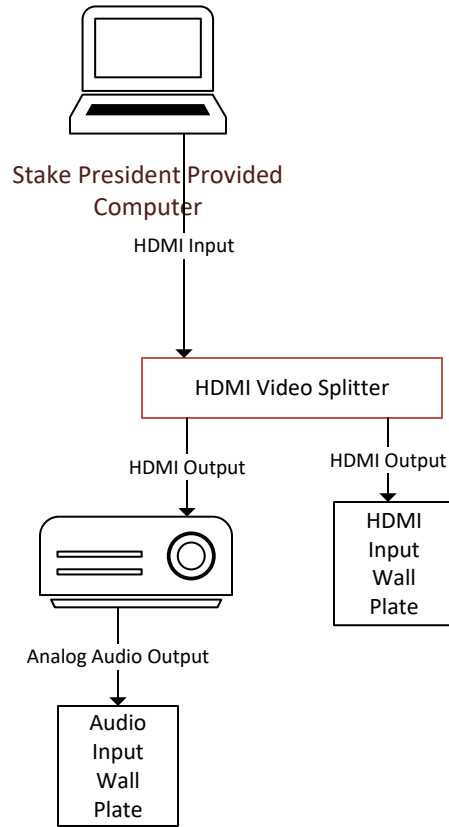
### Extron Video Switch (options)

- Right Rear Chapel Camera
- Rostrum Video

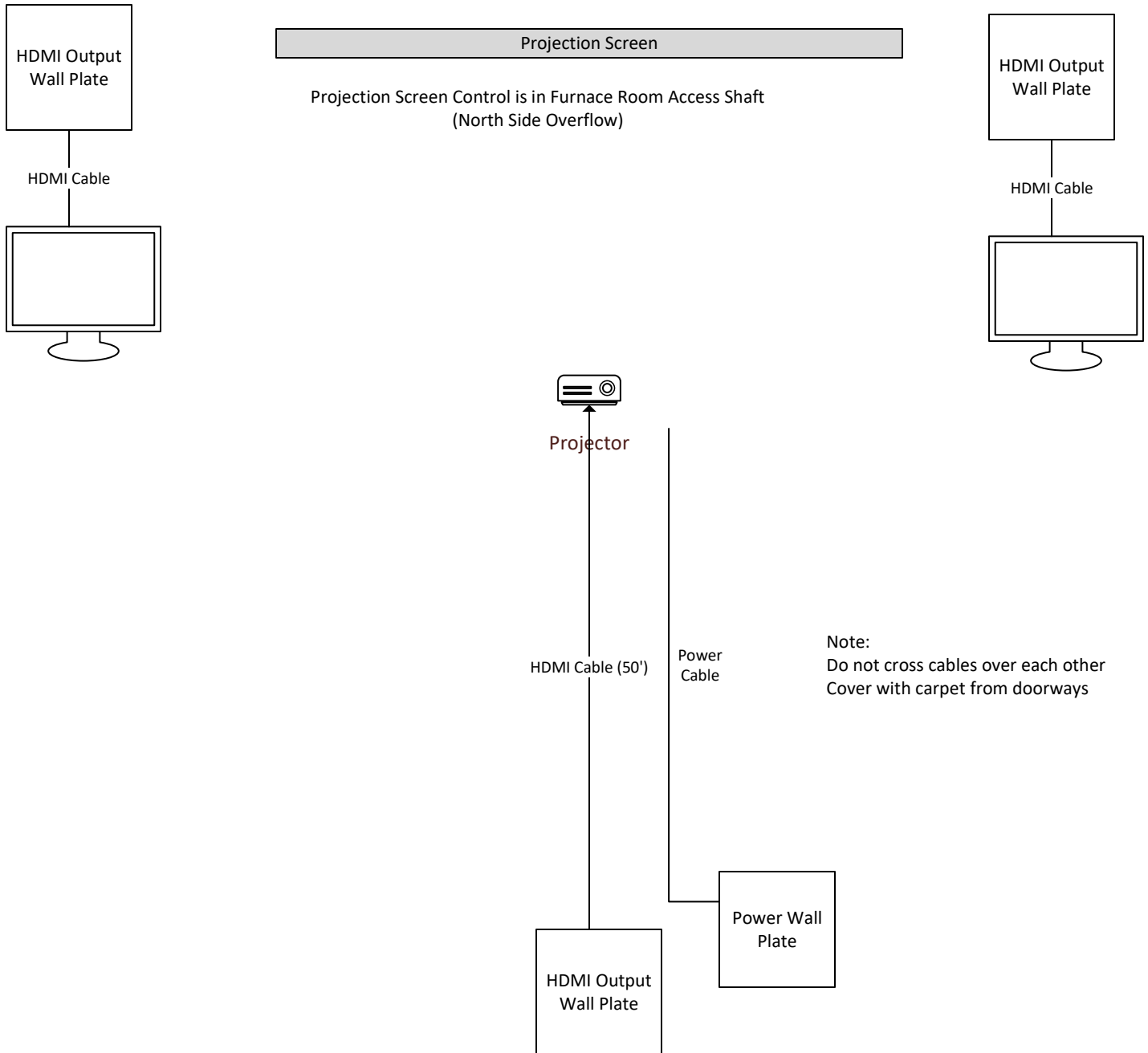
# Rostrum Setup



# Presentation Computer

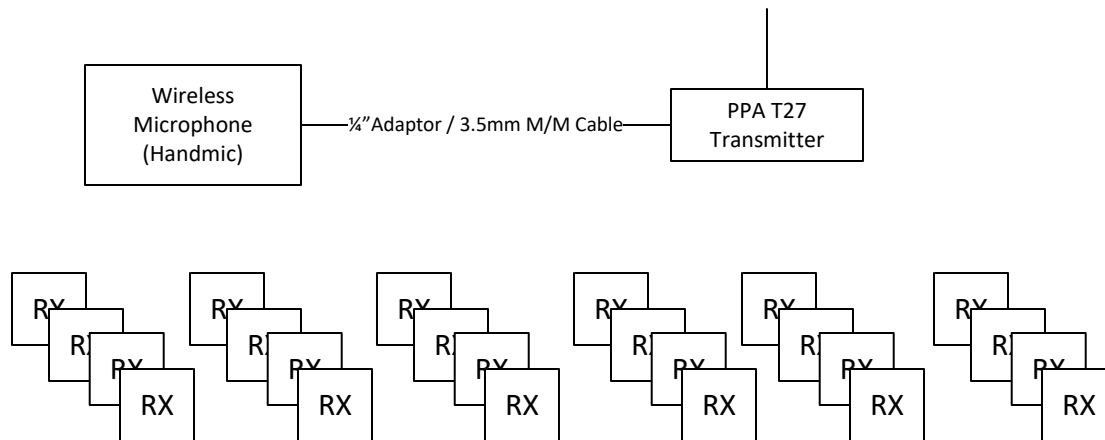


# Cultural Center



## Translation Local TX

### Spanish

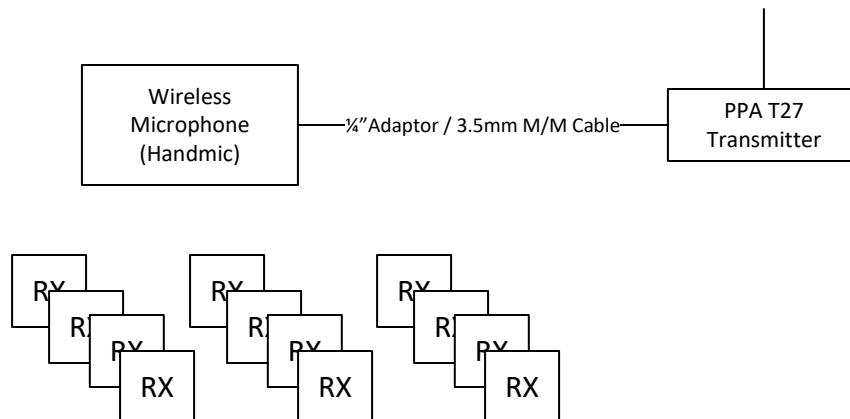


Williams AV equipment from Branch

Borrow Wireless Microphone from Ward Building 1

Setup on table in North Foyer with Black Table Cloth on Table

### Korean



Williams AV equipment from Branch

Borrow Wireless Microphone from Ward Building 2

Setup on table in North Foyer with Black Table Cloth on Table

Label Receivers as Spanish or Korean depending on configuration

Configure frequency per frequency plan

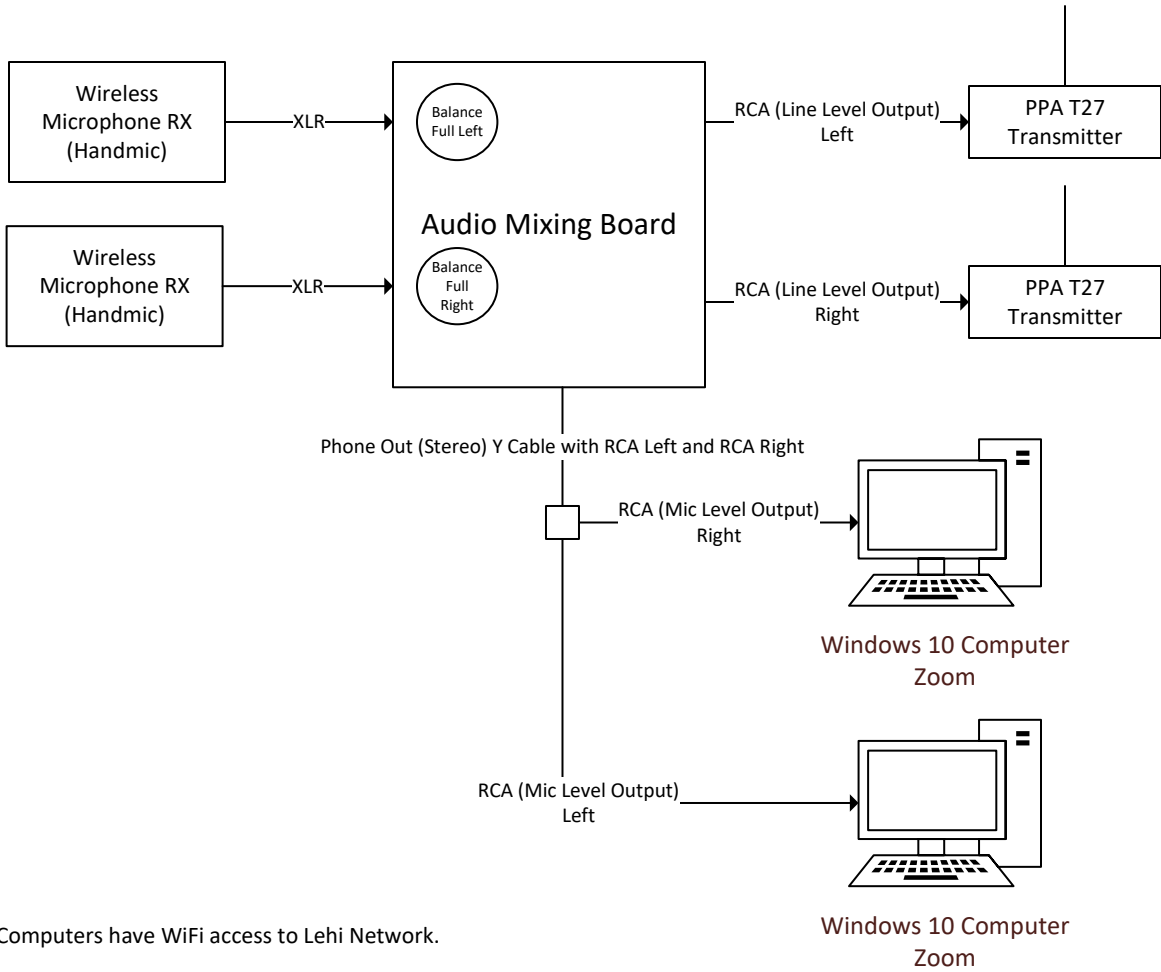
Set TX frequency

Check all receivers

Set TX gain and RX gain

Transmitter and Wireless Microphone receivers on cart or table behind overflow curtain on left side of overflow.

# Translation Zoom and Local TX



## Assisted Listening

Program Listen Receivers per Frequency Plan with English, Korean, Spanish channel designations

Place Listen Receivers and earpieces on Black tablecloth table in North Foyer

Assign volunteer to collect Drivers Licenses and to issue receivers to attendees

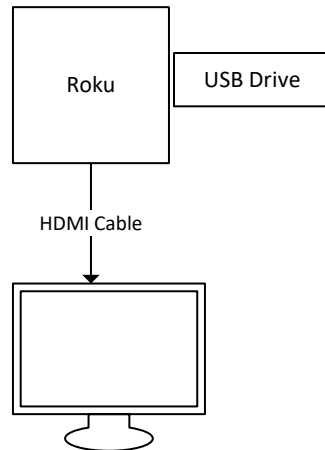
We are required to have 46 receivers based on building occupancy for ADA compliance. We have 8.

## Frequency Plan

Frequency	Listen	Williams	Comtek	Use
72.1000	A	A	A (1)	English (proposed)
72.2000	K	K		
72.3000	B	B	B (2)	
72.4000	N	N		
72.5000	C	C	C (3)	
72.6000	O	O		
72.7000	D	D	D (4)	
72.8000	P	P		
72.9000	E	E	E (5)	Korean (proposed)
74.7000	I	I	I (9)	FW Bldg. ALS
75.3000	J	J	J (10)	
75.4000	R	R		
75.5000	F	F	F (6)	
75.6000	S	S		
75.7000	G	G	G (7)	
75.8000	T	T		
75.9000	H	H	H (8)	Spanish (proposed)



## Information Display



Prepare three slides

- Leadership Session
- Adult Session
- General Session

Welcome to conference,

Provide information as to where to pick up Translation Receivers and ALS receivers

Locate in South Foyer on right side of door to chapel

Optional Microphones to Support Q&A

