

Stake Conference Translation

The Federal Way Washington Stake supports three different languages for Stake Conference. The principal language is English. The stake also has a Korean and Spanish branch. This document will provide an overview of our setup.

Church Standard

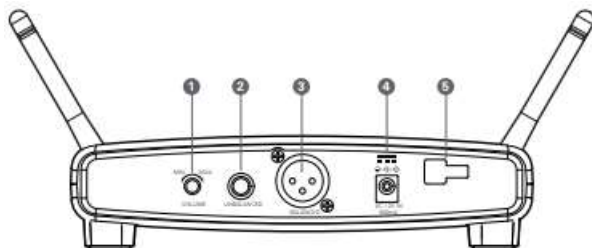
The standard translation setup is a Williams AV Personal PA Compact FM Transmitter (PPA T27) with a Noise Cancelling Headset Mic (Mic 044). On the front of the PPA is a Microphone Jack, and audio level indicator, and a gain control.



In our experience attaching the Mic 044 to this jack results in the level indicator not flashing even if the gain is turned up all the way. The audio heard on the receivers is weak and hard to hear.

Interpreters also do not like sharing the headset with others. The direct attached wired connection limits mobility since the transmitter needs to be located in the chapel for best performance.

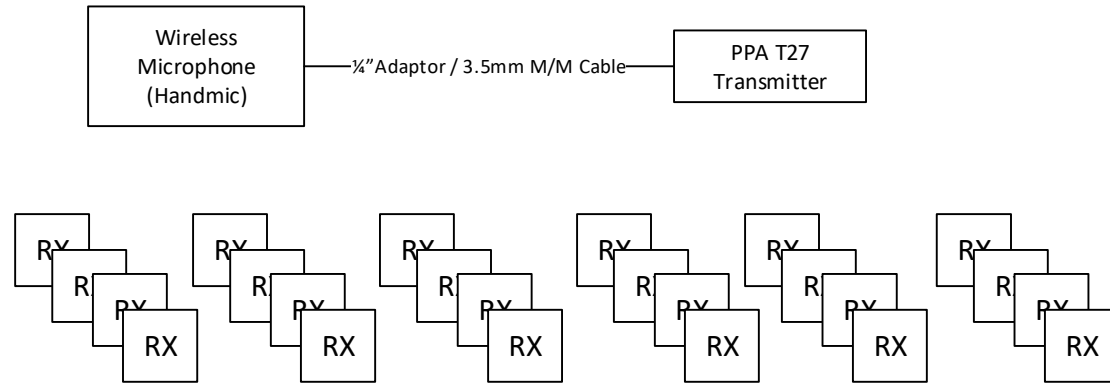
A second church standard is related to wireless microphones for meetinghouses. The current solution is the Audio-Technica System 10 ATW-1102 which consists of a hand-held microphone and receiver.



This receiver has a gain control (1) and a 1/4" microphone level mono output (2). With an adaptor and 3.5 mm Male-Male cable the receiver can be directly attached to the microphone input on the PPA T27. The

receiver gain can be adjusted such that the level indicator light blinks for peak audio levels. Each meetinghouse should have one of these units.

This is the overwhelmingly preferred configuration for our interpreters and is used weekly to support ward meetings.



For users it is important that the Williams AV headset is used with the receivers. The headset cord doubles as the receiver's antenna and the cord are the proper length to serve as an antenna.

Assisted Listening

Each meetinghouse, for Americans with Disabilities Act (ADA) requirements, is required to have an assisted listening system. The current church standard is a system from Listen Technologies. The receiver used is the LR-5200-072. This receiver can be configured to support multiple frequencies with channel selection from the device. The frequencies / channels used are the same between the Listen and Williams systems. Completely deaf members use these receivers to provide an audio signal to their smartphone-based transcription application.

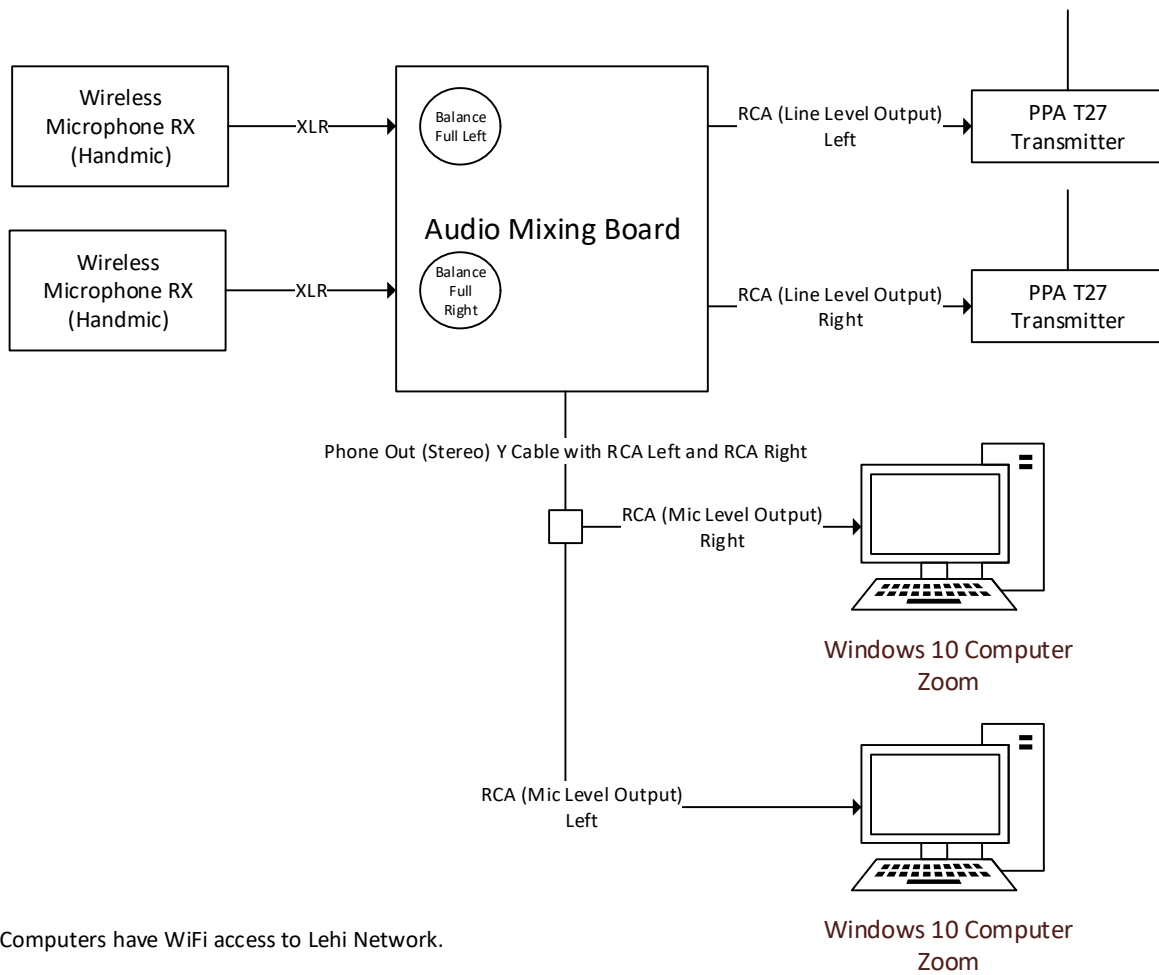
Local translation and Zoom interpretation.

For Stake Conference we provide interpretation of the English language and make a Korean or Spanish versions available to participants both locally as well as over Zoom Interpretation. To do this we have assembled a cart with all the necessary equipment.





The equipment on the cart is connected as illustrated below.



Computers have WiFi access to Lehi Network.

Using an old mixing board gives us some control of the audio levels present. Placing everything on the same cart and using the same power source as well as using wireless microphones eliminated any noise that sometimes occurs from ground loops. The same board can be used for two different languages by consistently treating one language as left audio and the second language as right audio.

This cart with transmitters is placed in the chapel overflow behind the accordion fold door that separates the chapel from the overflow. This is to hide the equipment from the speakers while having the low powered transmitters near the receivers. The transmitters are so weak that a single wall significantly attenuates the signal with resulting poor performance.

The computers are wirelessly connected to the Lehi network.

Interpreters like to be able to clearly hear the English/source language that they are translating from. For this purpose, we can issue them one of the Listen Technologies Assisted Listening System receivers and headset.